



MAKE IN INDIA

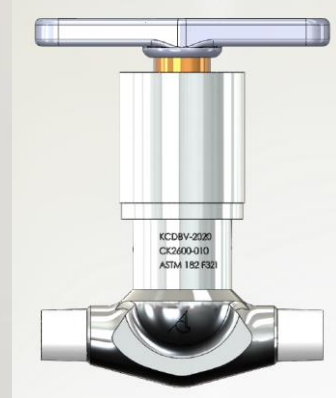
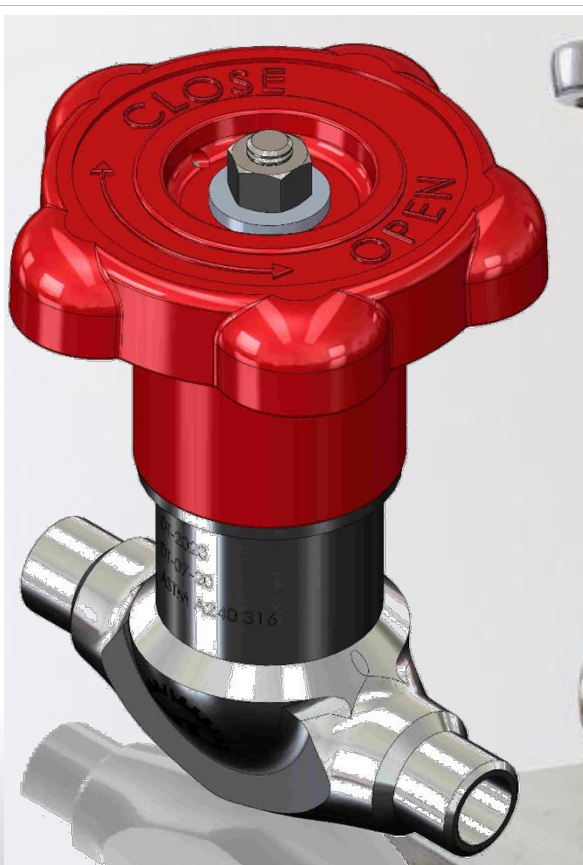


DECON Technologies

Global Sourcing Partner Supply Chain Engineering & Marketing

INSTRUMENT VALVES

- Bellows-Sealed Valve
- Gland-Sealed Valve



CONTACT US:

 : sales@decontechologies.com

 : +91 265 2987744


 : +91 96202 27352, 78299 40250

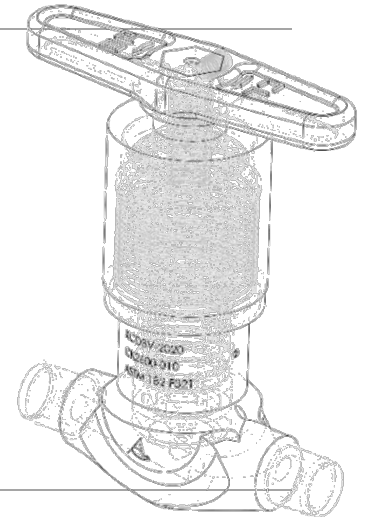
TABLE OF CONTENTS



BELLOWS-SEALED VALVES

I. DB Series valve

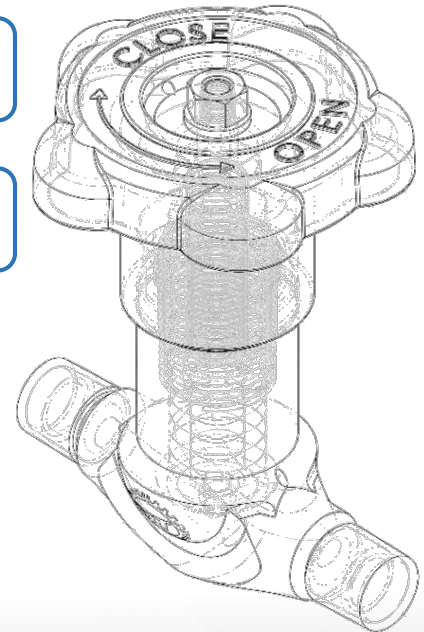
II. DB-H Series Valve



GLAND-SEALED VALVES

I. DG Series valve

II. DG-H Series Valve



DESIGN STANDARDS

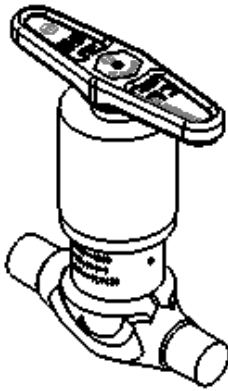
| | |
|------------------------|------------------------|
| DESIGN CONSTRUCTION | : ASME 16.34 |
| BUTT WELD | : ASME B16.10 |
| FACE TO FACE DIMENSION | : ISO 5752/ASME B16.10 |
| SOCKET WELD | : ASME B16.11 |
| TUBE FITTINGS | : ASME B31.3 |



BELLOWS-SEALED VALVES

Features:

- METAL BELLOWS SEAL THE MOVING STEM AND INCREASE DURABILITY OF PACKED STEM SEAL VALVES
- PRECISION-FORMED METAL BELLOWS AND NONROTATING STEM TIP FOR RELIABLE, REPETITIVE SHUTOFF
- VARIETY OF END CONNECTIONS— STANDARD TUBE FITTINGS, FEMALE AND MALE NPT, TUBE SOCKET AND TUBE BUTT WELD ENDS, AND TUBE EXTENSIONS



Technical Data:

| | |
|----------------------------|---|
| BELLOWS SEAL | F 321 |
| VALVE BODY MATERIAL | 316 SS |
| STEM | 316 SS |
| LEVER HANDLE | SS 316 |
| SERIES | DB SERIES/DB-H SERIES |
| STANDARDS | ASME B16.34, ASME B16.11, ISO 5752 |

Pressure-Temperature Ratings:

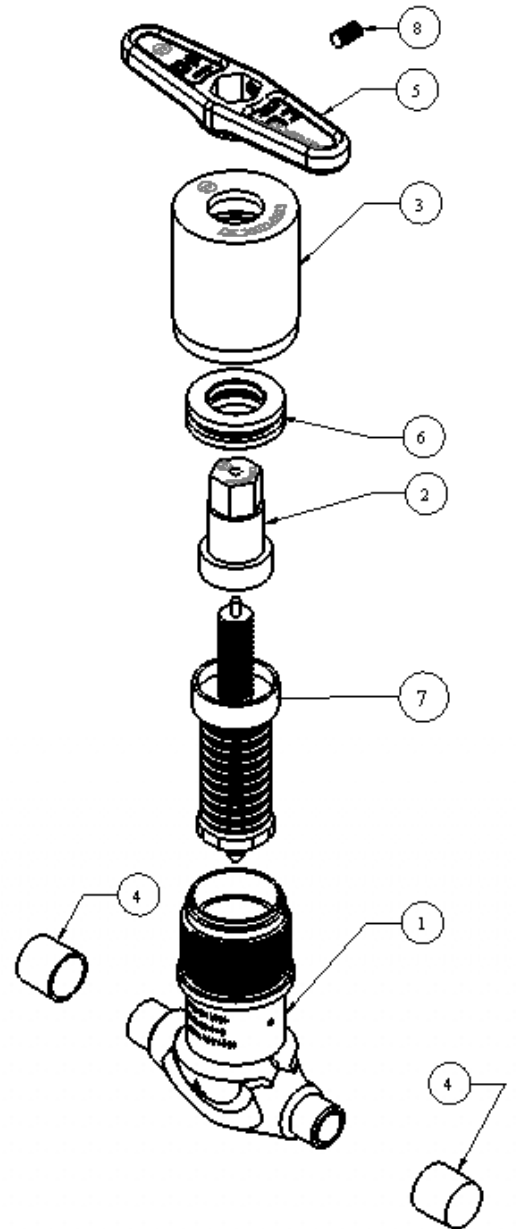
| MATERIAL | F 321 | F321 |
|--|------------------------|---------------------------|
| SERIES | DB Series | DB-H Series |
| TEMPERATURE, °F (°C) | -20 (-28) to 500 (260) | -40 (-40) to 662 (350) |
| WORKING PRESSURE PSIG (BAR) | 1000 (68.9) | 1000 (68.9) to 2950 (203) |



BELLOWS-SEALED VALVES

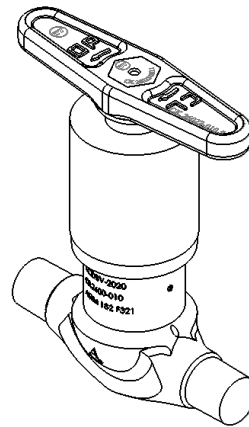
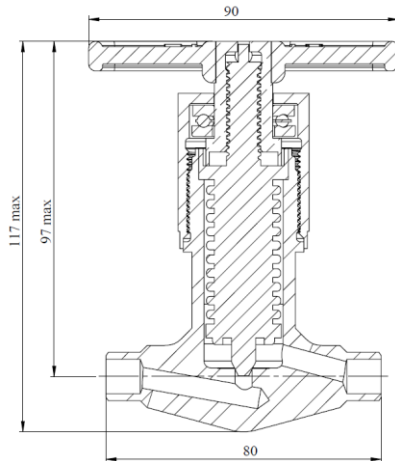
➤ Materials of Construction:

| SR. NO. | Component | DB Series | DB-H Series |
|---------|---------------------|-----------------------------------|-------------|
| | | Material Grade/ASTM Specification | |
| 1 | VALVE BODY | SS 316 | F 321 |
| 2 | TOP NUT | SS 316 | F321 |
| 3 | BONNET | SS 316 | F321 |
| 4 | STUB | Polyethylene | |
| 5 | LEVER | SS 304/316 | |
| 6 | THRUST BALL BEARING | STD. | |
| 7 | BELLOW | SS 316L | |
| 8 | SCREW | SS 316 | |



Ordering Information and Dimensions:

➤ DB Series valve

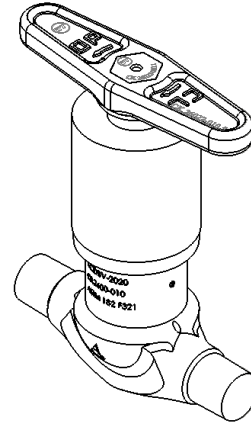
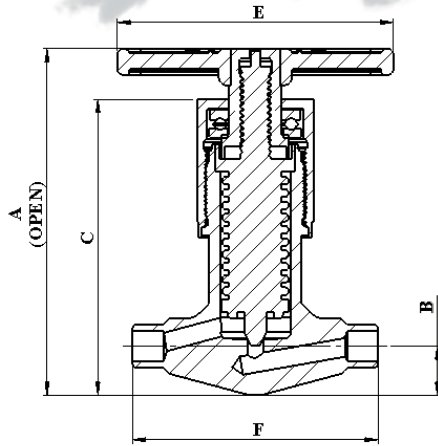


DB Series valve details

| TYPE | PART NO. | CONNECTION | |
|------------------------------|-------------|------------|------------|
| | | INLET | OUTLET |
| Standard INCH tube fitting | DBS-101S-BL | ¼" MNPT | ¼" FNPT |
| | DBS-102S-BL | ¼" FNPT | ¼" FNPT |
| | DBS-103S-BL | 3/8" MNPT | 3/8" FNPT |
| | DBS-104S-BL | 3/8" FNPT | 3/8" FNPT |
| | DBS-105S-BL | ½" MNPT | ½" FNPT |
| | DBS-106S-BL | ½" FNPT | ½" FNPT |
| Standard METRIC tube fitting | DBS-107S-BL | M6 male | M6 female |
| | DBS-108S-BL | M6 female | M6 female |
| | DBS-109S-BL | M8 male | M8 female |
| | DBS-110S-BL | M8 female | M8 female |
| | DBS-111S-BL | M10 male | M10 female |
| | DBS-112S-BL | M10 female | M10 female |
| | DBS-113S-BL | M12 male | M12 female |
| | DBS-114S-BL | M12 female | M12 female |
| Butt weld | DBS-115S-BL | ¼" | ¼" |
| | DBS-116S-BL | 3/8" | 3/8" |
| | DBS-117S-BL | ½" | ½" |
| Socket weld | DBS-118S-BL | ¼" | ¼" |
| | DBS-119S-BL | 3/8" | 3/8" |
| | DBS-120S-BL | ½" | ½" |

Ordering Information and Dimensions:

➤ DB-H Series



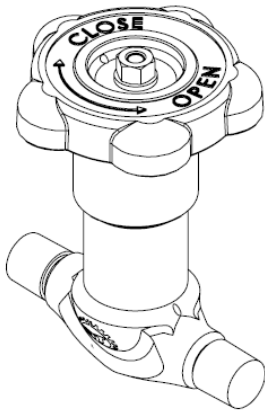
DB-H Series valve details

| TYPE | PART NO. | CONNECTION | |
|------------------------------|---------------|------------|------------|
| | | INLET | OUTLET |
| Standard INCH tube fitting | DB-HS-201F-BL | 1/4" MNPT | 1/4" FNPT |
| | DB-HS-202F-BL | 1/4" FNPT | 1/4" FNPT |
| | DB-HS-203F-BL | 3/8" MNPT | 3/8" FNPT |
| | DB-HS-204F-BL | 3/8" FNPT | 3/8" FNPT |
| standard METRIC tube fitting | DB-HS-205F-BL | M6 male | M6 female |
| | DB-HS-206F-BL | M6 female | M6 female |
| | DB-HS-207F-BL | M8 male | M8 female |
| | DB-HS-208F-BL | M8 female | M8 female |
| | DB-HS-209F-BL | M10 male | M10 female |
| | DB-HS-200F-BL | M10 female | M10 female |
| | DB-HS-211F-BL | M12 male | M12 female |
| | DB-HS-212F-BL | M12 female | M12 female |
| Butt weld | DB-HS-213F-BL | 1/4" | 1/4" |
| | DB-HS-214F-BL | 3/8" | 3/8" |
| | DB-HS-215F-BL | 1/2" | 1/2" |
| Socket weld | DB-HS-216F-BL | 1/4" | 1/4" |
| | DB-HS-217F-BL | 3/8" | 3/8" |
| | DB-HS-218F-BL | 1/2" | 1/2" |

GLAND SEALED VALVES

Features:

- THE PACKED GLAND USED PRIMARILY FOR SEALING PROCESS VALVE SHAFT (AXIAL MOVEMENT) AND FOR PROCESS PUMP SHAFTS (ROTARY MOVEMENT)
- THE PACKED GLAND HAS PROVIDED HAS LOW TECH. CONVENIENT SOLUTION.
- EVEN WHEN VALVES HAVE NO FAILURE SUCH A LEAKAGE, THE GLAND PACKING SHOULD BE REPLACE PREFERABLY.



Technical Data:

| | |
|-------------------------------|---|
| VALVE BODY MATERIAL | F 321 |
| GLAND PACKING MATERIAL | GRAPHITE / SS 316 |
| STEM | SS 316 |
| LEVER HANDLE | SS 316 |
| SERIES | DG SERIES/DG-H SERIES |
| STANDARDS | ASME B16.34,ASME B16.11,ISO 5752 |

Pressure-Temperature Ratings:

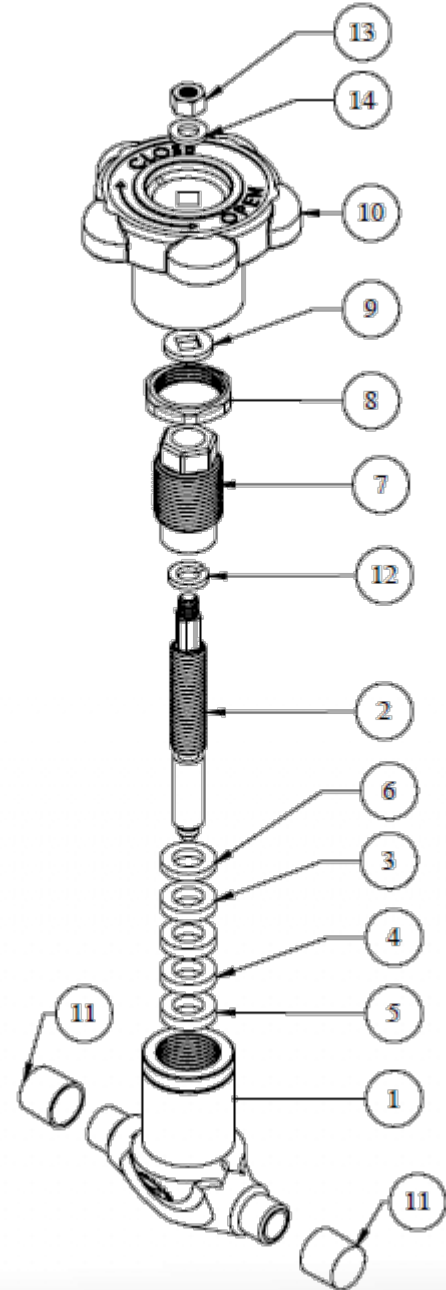
| MATERIAL | SS 316 | F 321 |
|------------------------------------|------------------------|--------------------------------|
| SERIES | DG Series | DG-H Series |
| TEMPERATURE, °F (°C) | -20 (-28) to 500 (260) | -40 (-40) to 662 (350) |
| WORKING PRESSURE PSIG (BAR) | 1000 (68.9) | Above 1000(68.9) to 2950 (203) |



GLAND-SEALED VALVES

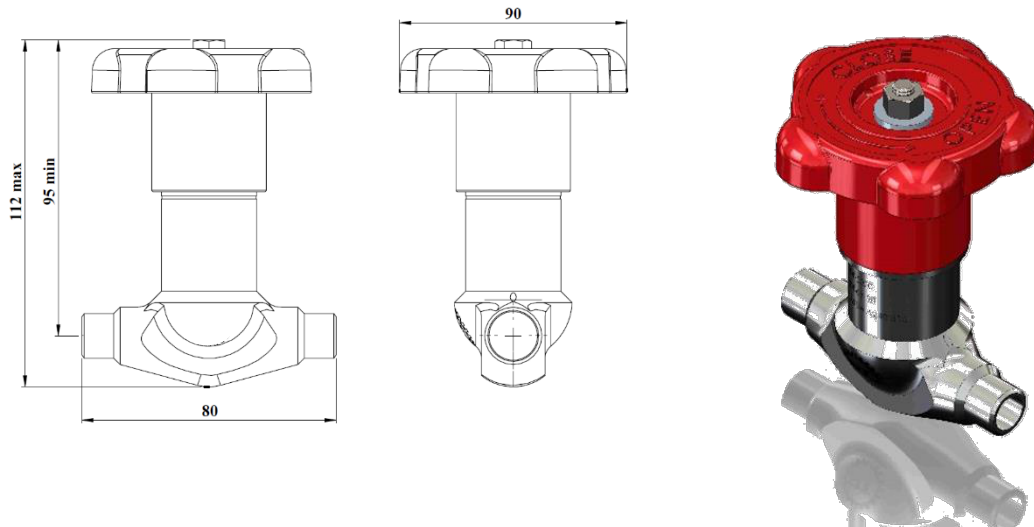
➤ Materials of Construction:

| SR. NO. | Component | DG Series | DG-H Series |
|---------|-------------------------|-----------------------------------|-------------|
| | | Material Grade/ASTM Specification | |
| 1 | VALVE BODY | F 321 | |
| 2 | SPINDLE | SS 316 | |
| 3 | GLAND BUSH | SS 316 | |
| 4 | GLAND RING | PTFE | |
| 5 | UNDER GLAND RING | PTFE | |
| 6 | INTERMEDIAT RING | SS 316 | |
| 7 | STEM NUT / THREDED BUSH | SS 316 | |
| 8 | LOCK NUT | SS 316 | |
| 9 | WASHER | SS 316 | |
| 10 | HAND WHEEL | SS 316 | |
| 11 | STUB / PLUG | Polyethylene | |
| 12 | SPLIT RING | SS 316 | |
| 13 | NUT | SS 316 | |
| 14 | WASHER | SS 316 | |



Ordering Information and Dimensions:

➤ DG Series

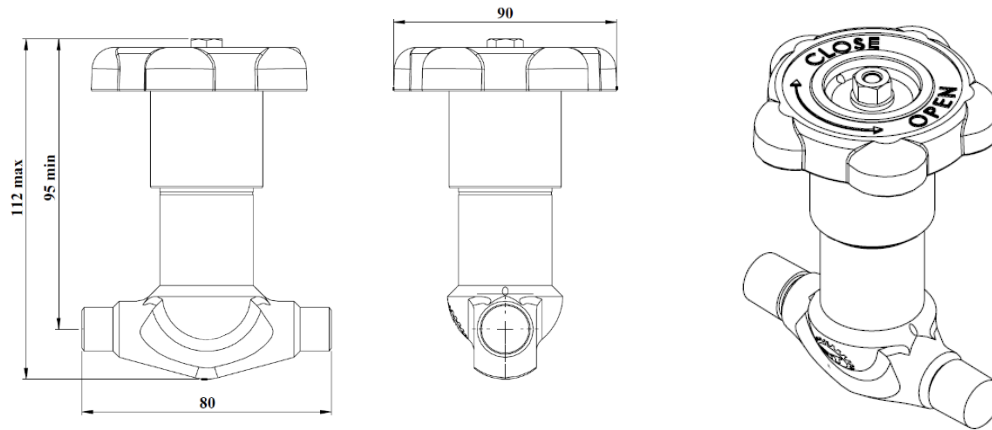


DG Series valve details

| TYPE | PART NO. | CONNECTION | |
|------------------------------|-------------|------------|------------|
| | | INLET | OUTLET |
| Standard INCH tube fitting | DGS-301S-GL | ¼" MNPT | ¼" FNPT |
| | DGS-302S-GL | ¼" FNPT | ¼" FNPT |
| | DGS-303S-GL | 3/8" MNPT | 3/8" FNPT |
| | DGS-304S-GL | 3/8" FNPT | 3/8" FNPT |
| | DGS-305S-GL | ½" MNPT | ½" FNPT |
| | DGS-306S-GL | ½" FNPT | ½" FNPT |
| Standard METRIC tube fitting | DGS-307S-GL | M6 male | M6 female |
| | DGS-308S-GL | M6 female | M6 female |
| | DGS-309S-GL | M8 male | M8 female |
| | DGS-310S-GL | M8 female | M8 female |
| | DGS-311S-GL | M10 male | M10 female |
| | DGS-312S-GL | M10 female | M10 female |
| | DGS-313S-GL | M12 male | M12 female |
| | DGS-314S-GL | M12 female | M12 female |
| Butt weld | DGS-315S-GL | ¼" | ¼" |
| | DGS-316S-GL | 3/8" | 3/8" |
| | DGS-317S-GL | ½" | ½" |
| Socket weld | DGS-318S-GL | ¼" | ¼" |
| | DGS-319S-GL | 3/8" | 3/8" |
| | DGS-320S-GL | ½" | ½" |

Ordering Information and Dimensions:

➤ DG-H Series



DG-H Series valve details


| TYPE | PART NO. | CONNECTION | |
|------------------------------|---------------|------------|------------|
| | | INLET | OUTLET |
| Standard INCH tube fitting | DG-HS-401F-GL | 1/4" MNPT | 1/4" FNPT |
| | DG-HS-402F-GL | 1/4" FNPT | 1/4" FNPT |
| | DG-HS-403F-GL | 3/8" MNPT | 3/8" FNPT |
| | DG-HS-404F-GL | 3/8" FNPT | 3/8" FNPT |
| standard METRIC tube fitting | DG-HS-405F-GL | M6 male | M6 female |
| | DG-HS-406F-GL | M6 female | M6 female |
| | DG-HS-407F-GL | M8 male | M8 female |
| | DG-HS-408F-GL | M8 female | M8 female |
| | DG-HS-409F-GL | M10 male | M10 female |
| | DG-HS-410F-GL | M10 female | M10 female |
| | DG-HS-411F-GL | M12 male | M12 female |
| | DG-HS-412F-GL | M12 female | M12 female |
| Butt weld | DG-HS-413F-GL | 1/4" | 1/4" |
| | DG-HS-414F-GL | 3/8" | 3/8" |
| | DG-HS-415F-GL | 1/2" | 1/2" |
| Socket weld | DG-HS-416F-GL | 1/4" | 1/4" |
| | DG-HS-417F-GL | 3/8" | 3/8" |
| | DG-HS-418F-GL | 1/2" | 1/2" |



CONTACT US:



 : sales@deconconnect.com

 : +65 9782 1432